

TCH MODEL

WIRE ROPE PULLING HOISTS

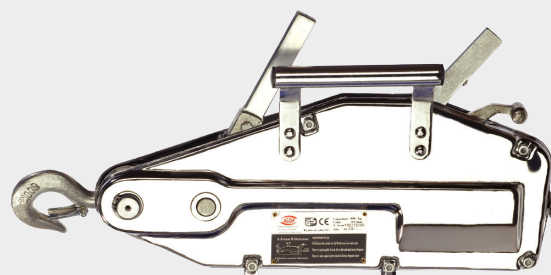
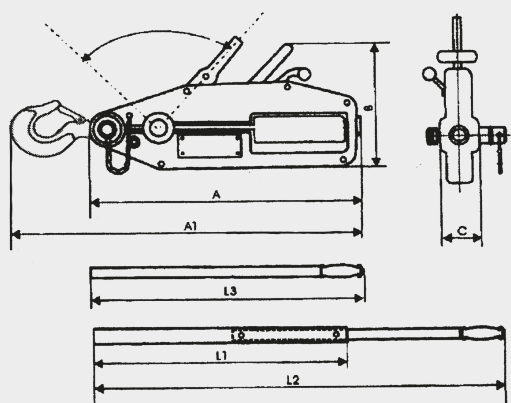
The JAGUAR wire rope pulling hoists is a light, portable device appropriate for pulling, lifting, tensioning, and securing loads.

- Features:**
- Steel body.
 - Forward, back and unlock levers.
 - Overload safety bolts.
 - Removable anchoring master pin.
 - Swivel hook.

Its use is indispensable for applications in industry, shipbuilding, civil engineering, assembly of power lines and various other applications.

OPTIONAL:

- Different cable length (20, 40 & 60 mts.)



CODE	CAPACITY (Kg)	No OF LEGS	FORCE (N.)	NET WEIGHT (Kg)	Ø CABLE (mm.)	MAIN DIMENSIONS (mm)						
						A1	A	B	C	L1	L2	L3
ATCH1000	800	1	341	7	8,3	495	435	245	66	-	-	800
ATCH2000	1.600	1	400	13	11	615	550	280	82	790	1200	-
ATCH3000	3.200	1	438	24	16	755	665	345	103	790	1200	-

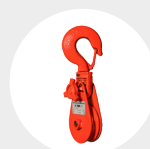
RECOMMENDED ACCESSORIES



SCREW CLAMPS
MODEL WF
Pag. 49



SNATCH BLOCKS WITH HOOK
PBG MODEL
Pag. 38



HEAVY DUTTY SNATCH BLOCKS WITH HOOK
PG MODEL
Pag. 39