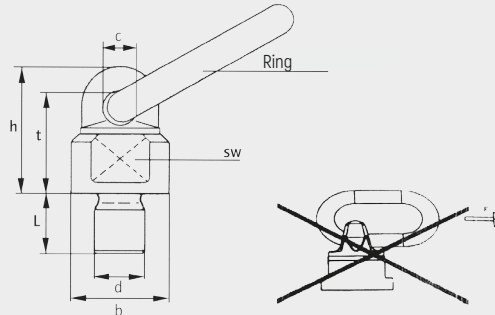


PHCG MODEL

SWIVEL EYEBOLT WITH RINGS

Features:

- Compact and light built.
- Safety coefficient 4: 1 in all working directions.
- 360° Rotating.
- The ring can fold 180°..
- Should be screwed onto a flat surface.



Note: Manufactured in grade 80 steel.

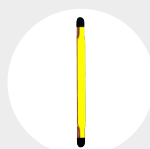
| CODE | DIAMETER X THREAD LENGTH | DIN13 THREAD PITCH | MAIN DIMENSIONS (mm) | | | | | | WEIGHT (Kg) |
|------------|-----------------------------|-----------------------|----------------------|----|-----|----|-----|---------------|-------------|
| | | | B | C | H | SW | T | RING SIZES | |
| PHCG81303 | 8X13 | 1,25 | 36 | 17 | 53 | 22 | 45 | 13 x 50 x 30 | 0,40 |
| PHCG101804 | 10X18 | 1,50 | 36 | 17 | 53 | 22 | 45 | 13 x 50 x 30 | 0,40 |
| PHCG121805 | 12X18 | 1,75 | 36 | 17 | 53 | 22 | 45 | 13 x 50 x 30 | 0,40 |
| PHCG142011 | 14X20 | 2,00 | 36 | 17 | 53 | 22 | 45 | 13 x 50 x 30 | 0,40 |
| PHCG162011 | 16X20 | 2,00 | 36 | 17 | 53 | 22 | 45 | 13 x 50 x 30 | 0,40 |
| PHCG203020 | 20X30 | 2,50 | 50 | 19 | 68 | 30 | 57 | 16 x 70 x 34 | 0,90 |
| PHCG243031 | 24X30 | 3,00 | 57 | 22 | 78 | 34 | 66 | 18 x 85 x 40 | 1,40 |
| PHCG273531 | 27X35 | 3,25 | 57 | 22 | 78 | 34 | 66 | 18 x 85 x 40 | 1,50 |
| PHCG303553 | 30X50 | 3,50 | 66 | 24 | 97 | 40 | 81 | 20 x 85 x 40 | 2,20 |
| PHCG303580 | 30X35 | 3,50 | 80 | 27 | 112 | 46 | 90 | 22 x 115 x 50 | 3,60 |
| PHCG365080 | 36X50 | 4,00 | 80 | 27 | 112 | 46 | 90 | 22 x 115 x 50 | 3,70 |
| PHCG395080 | 39X50 | 4,00 | 80 | 27 | 112 | 46 | 90 | 22 x 115 x 50 | 4,30 |
| PHCG425010 | 42X50 | 4,50 | 80 | 27 | 112 | 48 | 90 | 22 x 115 x 50 | 4,10 |
| PHCG485010 | 48X50 | 5,00 | 80 | 27 | 112 | 48 | 90 | 22 x 115 x 50 | 4,30 |
| PHCG568410 | 56X84 | 5,50 | 120 | 46 | 168 | 70 | 135 | 32 x 155 x 70 | 11,40 |
| PHCG649615 | 64X96 | 6,00 | 120 | 46 | 168 | 35 | 140 | 34 x 140 x 70 | 12,80 |

| WORKLOAD BASED ON ANGLES AND NUMBERS OF FASTENING POINT | | | | | | | | | | | | | |
|---|--------|--------|-------|--------|-------|---------|-----------|---------|-----------|--------|-------|--------|-------|
| No OF EYEBOLTS | | 1 | | 2 | | 3 | | 4 | | 2 | | 3-4 | |
| MAX. WORKING LOAD (KG) | | M.W.L. | | M.W.L. | | M.W.L. | | M.W.L. | | M.W.L. | | M.W.L. | |
| CODE | THREAD | T | | T | | T | | T | | T | | T | |
| | | 0° | 90° | 0° | 90° | 0 - 45° | 45° - 60° | 0 - 45° | 45° - 60° | T | T | T | T |
| PHCG81303 | M8 | 0,60 | 0,30 | 1,20 | 0,60 | 0,42 | 0,30 | 0,63 | 0,45 | 0,30 | 0,30 | 0,30 | 0,30 |
| PHCG101804 | M10 | 1,00 | 0,50 | 2,00 | 1,00 | 0,70 | 0,50 | 1,05 | 0,75 | 0,50 | 0,50 | 0,50 | 0,50 |
| PHCG121805 | M12 | 1,00 | 0,50 | 2,00 | 1,00 | 0,70 | 0,50 | 1,05 | 0,75 | 0,50 | 0,50 | 0,50 | 0,50 |
| PHCG142011 | M14 | 2,24 | 1,12 | 4,00 | 2,24 | 1,56 | 1,12 | 2,35 | 1,68 | 1,12 | 1,12 | 1,12 | 1,12 |
| PHCG162011 | M16 | 2,24 | 1,12 | 4,00 | 2,24 | 1,56 | 1,12 | 2,35 | 1,68 | 1,12 | 1,12 | 1,12 | 1,12 |
| PHCG203020 | M20 | 4,00 | 2,00 | 8,00 | 4,00 | 2,80 | 2,00 | 4,20 | 3,00 | 2,00 | 2,00 | 2,00 | 2,00 |
| PHCG243031 | M24 | 6,40 | 3,20 | 12,80 | 6,40 | 4,48 | 3,20 | 6,72 | 4,80 | 3,20 | 3,20 | 3,20 | 3,20 |
| PHCG273531 | M27 | 6,40 | 3,20 | 12,80 | 6,40 | 4,48 | 3,20 | 6,72 | 4,80 | 3,20 | 3,20 | 3,20 | 3,20 |
| PHCG303553 | M30 | 10,00 | 5,00 | 20,00 | 10,00 | 7,00 | 5,00 | 10,50 | 7,50 | 5,00 | 5,00 | 5,00 | 5,00 |
| PHCG303580 | M30 | 12,00 | 8,00 | 24,00 | 16,00 | 11,20 | 8,00 | 16,80 | 12,00 | 8,00 | 8,00 | 8,00 | 8,00 |
| PHCG365080 | M36 | 12,00 | 8,00 | 24,00 | 16,00 | 11,20 | 8,00 | 16,80 | 12,00 | 8,00 | 8,00 | 8,00 | 8,00 |
| PHCG395080 | M39 | 12,00 | 8,00 | 24,00 | 16,00 | 11,20 | 8,00 | 16,80 | 12,00 | 8,00 | 8,00 | 8,00 | 8,00 |
| PHCG425010 | M42 | 15,00 | 10,00 | 30,00 | 20,00 | 14,00 | 10,00 | 21,00 | 15,00 | 10,00 | 10,00 | 10,00 | 10,00 |
| PHCG485010 | M48 | 15,00 | 10,00 | 30,00 | 20,00 | 14,00 | 10,00 | 21,00 | 15,00 | 10,00 | 10,00 | 10,00 | 10,00 |
| PHCG568410 | M56 | 22,50 | 15,00 | 45,00 | 30,00 | 21,00 | 15,00 | 31,50 | 22,50 | 15,00 | 15,00 | 15,00 | 15,00 |
| PHCG649615 | M64 | 22,50 | 15,00 | 45,00 | 30,00 | 21,00 | 15,00 | 31,50 | 22,50 | 15,00 | 15,00 | 15,00 | 15,00 |

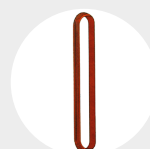
RECOMMENDED ACCESSORIES



SLING "DOL"
Pag. 84



WEBBING SLINGS
Pag. 94



ROUND SLINGS
Pag. 95