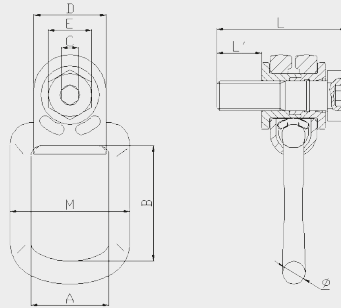


PCGA MODEL (SHORT) LATERAL SWIVEL EYEBOLT



Features:

- 360° rotation
- 90° swing ring.
- Safety coefficient of 4:1
- Screw 12.9.
- Simple and fast placement.

OPTIONAL

The length can be adjusted according to client's needs, as long as it is between the minimum and maximum length for the PCGAL model.

LIFTING METHOD	1		2				3+4		2	3+4	
	0°	90°	0°	90°	0°-45°	45°-60°	0°-45°	45°-60°	ASYMMETRIC	ASYMMETRIC	
NUMBER OF LEGS	1		2				3+4		2	3+4	
ANGLE OF INCLINE	0°		90°		0°-45°		45°-60°		ASYMMETRIC	ASYMMETRIC	
CODE	METRICS (mm)	CAPACITY OF THE LOAD. (Kg)									
PCGA811036	M8	360	360	720	720	500	360	720	540	360	360
PCGA1016063	M10	630	630	1.250	1.250	850	630	1.300	900	630	630
PCGA121810	M12	1.000	1.000	2.000	2.000	1.400	1.000	2.100	1.500	1.000	1.000
PCGA142112	M14	1.200	1.200	2.400	2.400	1.700	1.200	2.500	1.800	1.200	1.200
PCGA162415	M16	1.500	1.500	3.000	3.000	2.100	1.500	3.100	2.200	1.500	1.500
PCGA182620	M18	2.000	2.000	4.000	4.000	2.800	2.000	4.200	3.000	2.000	2.000
PCGA203025	M20	2.500	2.500	5.000	5.000	3.500	2.500	5.200	3.700	2.500	2.500
PCGA243540	M24	4.000	4.000	8.000	8.000	5.600	4.000	8.400	6.000	4.000	4.000
PCGA273840	M27	4.000	4.000	8.000	8.000	5.600	4.000	8.400	6.000	4.000	4.000
PCGA304850	M30	5.000	5.000	10.000	10.000	7.000	5.000	10.500	7.500	5.000	5.000
PCGA365470	M36	7.000	7.000	14.000	14.000	10.000	7.000	14.700	10.500	7.000	7.000
PCGA4272100	M42	10.000	10.000	20.000	20.000	14.000	10.000	21.000	15.000	10.000	10.000
PCGA4874200	M48	20.000	20.000	40.000	40.000	28.000	20.000	42.000	30.000	20.000	20.000

CODE	WEIGHT/ KGS.	C.M.T./T.	THREAD	A	B (INNER RING)	C	D	E	M	L	L'	DIAMETER OF RING	PAIR FOR TIGHTENING/NM
PCGA811036	0.35	0.3	1.25	34.5	47	6	30	13	55	46	10.4	14	30
PCGA1016063	0.35	0.63	1.5	34.5	47	6	30	17	55	52	15.4	14	60
PCGA121810	0.75	1	1.75	39.5	49	8	36	19	68	64	18	18	120
PCGA142112	0.75	1.12	2	40	49	10	36	22	68	66	21	18	120
PCGA162415	0.8	1.5	2	40	49	10	36	24	68	70	24	18	150
PCGA182620	1.25	2	2.5	53	72	12	50	30	83	83	26	16	200
PCGA203025	1.3	2.5	2.5	53	72	12	50	30	83	88	30	16	250
PCGA243540	1.45	4	3	54	87	14	50	36	83	95	35	18	400
PCGA273840	4.15	4	3	73	91	17	68	40	120	120	38	27	400
PCGA304850	4.2	5	3.5	73	91	17	68	46	120	132	48	27	500
PCGA365470	4.5	7	4	73	91	22	68	55	120	142	54	27	800
PCGA4272100	7.7	10	4.5	94	126	24	85	64	148	176	72	31	1500
PCGA4874200	12.6	20	5	104	138	27	94	75	176	194	74	40	2000

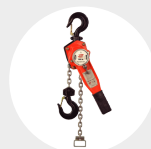
RECOMMENDED ACCESSORIES



DOL SLING
Pag. 84



STEEL WIRE ROPE PULLING HOIST
TCH MODEL
Pag. 37



LEVER HOIST
900 SERIES
Pag. 26