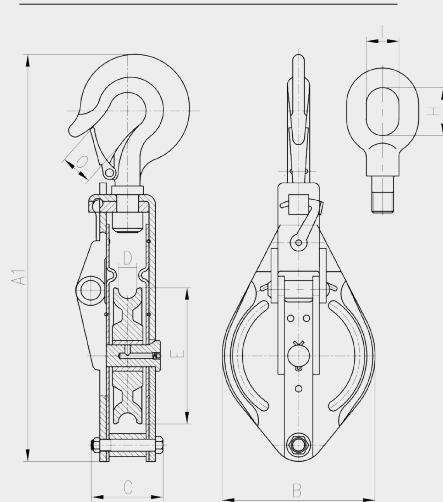


**PBG (HOOK) AND PBC (EYEBOLT)**  
 SNATCH BLOCKS MODELS



The block is a tool that is used for lifting, towing and even for changing the direction of the load.

The lateral hinge opening allows a fast and easy insertion of the cable. These blocks can be used both with hook and eyebolts, and can rotate through 360°.



MODEL HOOK	MAX. WORKING LOAD (KG.)	A1 (MM.)	B(MM.)	C(MM.)	O(MM.)	H(MM.)	I(MM.)	D. DIA. WHEEL (MM.)	DIA/ CABLE (MM.)	NET WEIGHT (KG.)
PBG100	1.000	312	112	55,5	24			100	≤10	3.5
PBG125	1.500	370	140	63,5	29			125	≤13	4.5
PBG150	2.000	443	168	101	36			150	≤16	8
PBG180	3.000	498	204	107	38			180	≤19	11
PBG200	4.000	590	226	128	41			200	≤22	20
PBG250	5.000	590	276	147	48			250	≤25	34
PBC100	1.000	285	112	55,5		39	27	100	≤10	3.5
PBC125	1.500	344	140	63,5		44	30	125	≤13	4.5
PBC150	2.000	417	168	101		53	35	150	≤16	8
PBC180	3.000	478	204	107		71	42	180	≤19	11
PBC200	4.000	556	226	128		87	52	200	≤22	20
PBC250	5.000	651	276	147		90	53	250	≤25	34

RECOMMENDED ACCESSORIES



WALL WINCHES  
 TA MODEL

Pag. 44



ALUMINIUM WIRE ROPE PULLING HOIST  
 MODELO TCAL

Pag. 36



STEEL WIRE ROPE PULLING HOIST  
 TCH MODEL

Pag. 37