

BCN MODEL

BEAM CLAMP FOR SHOWS

The fixing clamp with ring allows fast and reliable adjustment to different types of profiles with a large opening.

The shaft of the fixing clamp can be used to attach hooks, cables, etc...

Main features:

Simple and fast placement.

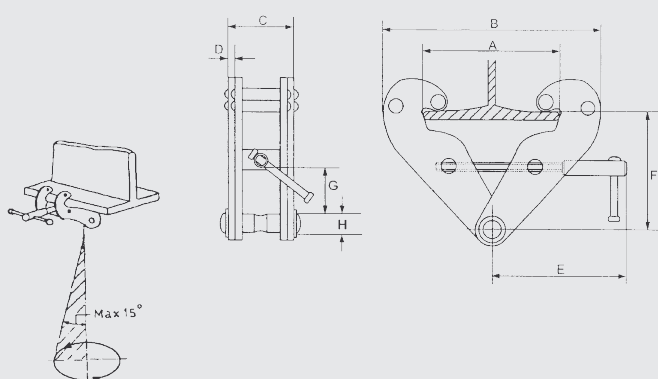
Light.

Allows a wide range of profiles.



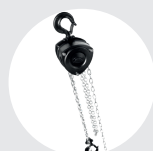
Note:

JAGUAR trolleys are not designed for moving people and must not be used for this purpose.



CODE	MODEL	CAPACITY (Kg)	WIDTH OF BEAM (mm)	WEIGHT (Kg)	MAIN DIMENSIONS (mm)									
					A MAX.	B MIN.	B MAX.	C	D	E	F MAX.	F MIN.	G MIN.	H
ABC1000N	BCN010	1.000	75 a 230	3,5	277	180	370	66	4	220	160	105	25	25/20
ABC3000N	BCN030	3.000	80 a 320	9	388	225	500	103	8	273	239	163	47	32/24

RECOMMENDED ACCESSORIES



BLACK HAND HOISTS FOR SHOWS
Pag. 128