

## BC MODEL

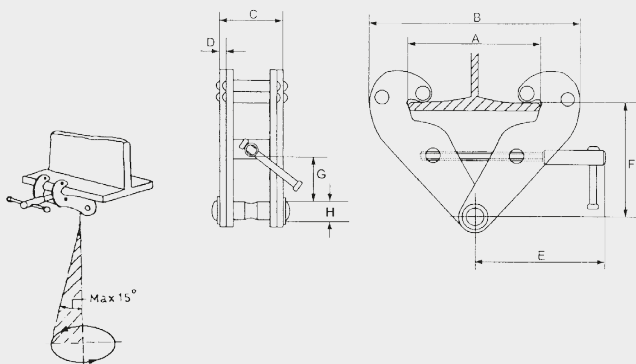
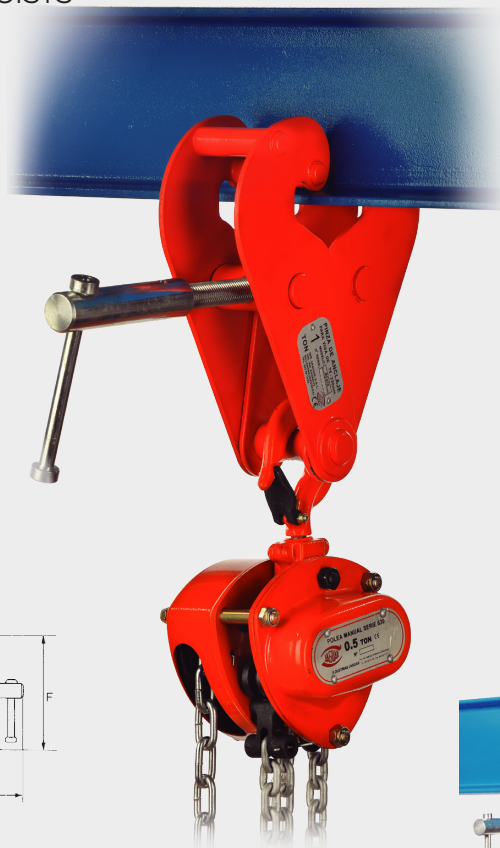
### SPINDLE BEAM CLAMPS FOR BEAMS AND HOISTS

The JAGUAR spindle beam clamp adjusts quickly and safely to IPN, IPE steel profiles, etc.

This can be used as a quick and safe system when suspending Jaguar hand chain hoists and PALFER-JAGUAR lever hoists.

#### Features:

- Easy and fast to fit.
- Useable with a widerange of profiles.
- Secure fastening using athreaded locking axis.



CODE	MODEL	CAPACITY	ANCHO DE VIGA (M.º)	WEIGHT (Kg)	MAIN DIMENSIONS (mm)									
					A MAX.	B MÍN.	B MAX.	C	D	E	F MAX.	F MÍN.	G MÍN.	H
ABC1000	BC010	1.000	75 a 230	3,5	277	180	370	66	4	220	160	105	25	25/20
ABC2000	BC020	2.000	75 a 220	5	260	200	370	74	6	230	155	108	25	25/23
ABC3000	BC030	3.000	80 a 320	9	388	225	500	103	8	273	239	163	47	32/34
ABC5000	BC040	5.000	90 a 320	11	375	225	490	110	10	273	239	170	50	34/30
ABC6000	BC0100	10.000	90 a 320	15	375	267	510	120	12	283	235	168	40	44/40

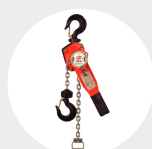
#### RECOMMENDED ACCESSORIES



HAND CHAIN HOISTS  
SERIES 630  
Pag. 20



ELECTRIC CHAIN HOISTS  
MODELE C4  
Pag. 116



LEVER HOISTS  
SERIES 900  
Pag. 26



SWIVEL  
SAFETY HOOKS  
Pag. 80