

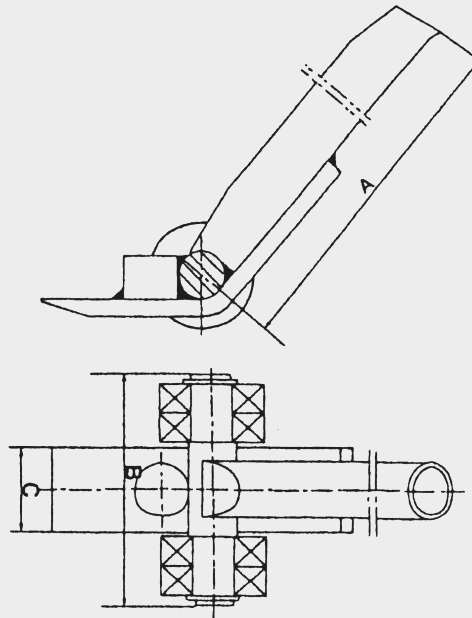
APAEL MODEL

LIFT LEVERS



The lift lever is the ideal tool for lifting and then inserting claws or manual trolleys under the plates or loads to be moved or lifted.

- APAEL3R Bearings.



CODE	MODEL	CAPACITY (Kg)	A	B	C	WEIGHT
APAELR030	APAEL 3R	3.000	1420	152	65	7

RECOMMENDED ACCESSORIES



HYDRAULIC TOE JACK
 MODEL AGATU
 Pag. 67



ROLLER SKATES TROLLEYS
 MODEL ATACA
 Pag. 68