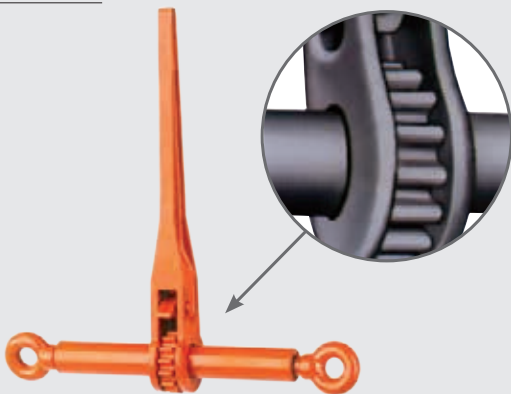


# PTG & ATC (H) MODELS

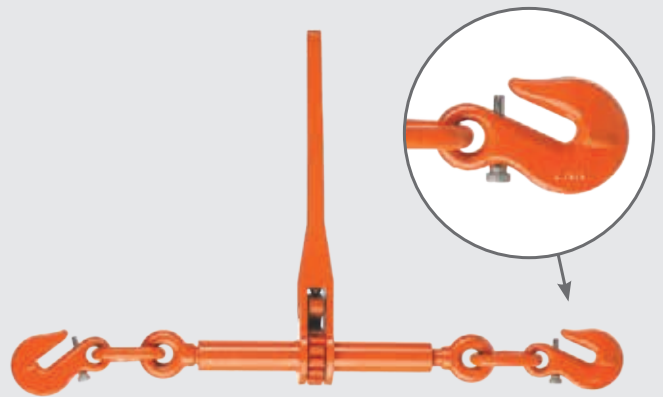
## LOAD BLINDER RATCHETS

**Features:**

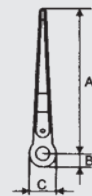
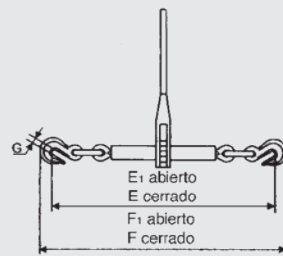
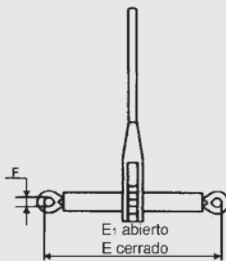
- JAGUAR ratchet load blinder is a safe and easily handle able tool for securing and tensioning loads.
- The threaded spindles are shifted to one side to open and to the other side to close by moving lever.
- The screw thread is trapezoidal and maintains the load constantly tense.
- JAGUAR ratchet load binder comes with two hooks or two eye bolts to connect directly to the chain and also other connecting elements.



**ATC MODEL**  
Eyebolt ratchet tensioner



**PTG MODEL**  
Ratcheting Tensor with hooks



MODEL	TRACTION CAPACITY (KN.)	BREAKING LOAD (KN.)	CHAIN DIAMETER (mm)	MAIN DIMENSIONS (mm)								NET WEIGHT (Kg)
				A	B	C	E	E1	F	F1	G	
PTG1.000	40	80,4	8	357	33	62	570	720	630	780	12	4,5
PTG2.000	63	126	10	357	33	62	640	800	700	860	13,5	5,25
PTG3.000	100	212	13	357	33	64	685	860	780	955	16	7,5
PTG4.000	160	320	16	357	33	64	725	885	830	990	18	9,85
With eyebolts												
ATC1.000	40	80,4	8	357	33	63	355	530	20	-	-	3,2
ATC2.000	63	126	10	357	33	63	345	510	20	-	-	3,2
ATC3.000	100	212	13	357	33	65	370	535	27	-	-	3,8
ATC4.000	160	320	16	357	33	65	390	545	31	-	-	4,2

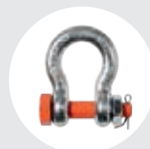
**RECOMMENDED ACCESSORIES**



**CHAIN SHORTENER**



**HOOK WITH LATCH 80 DEGREE DIRECT CONNECTION**



**SHACKLES**