

BCA MODEL

CLAMP FOR LIFTING BEAMS



The fixing clamp with ring allows for a fast and reliable adjustment to different types of profiles with large opening capacity.

It can be used both for lifting beams, for traction and as a semi-permanent anchor point.

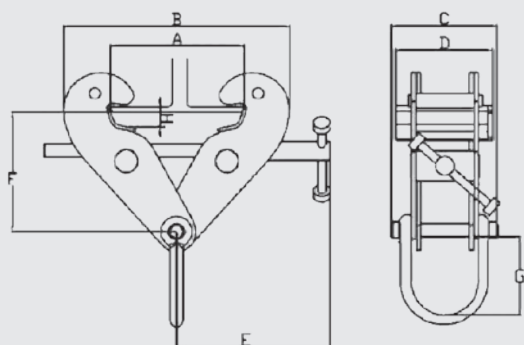
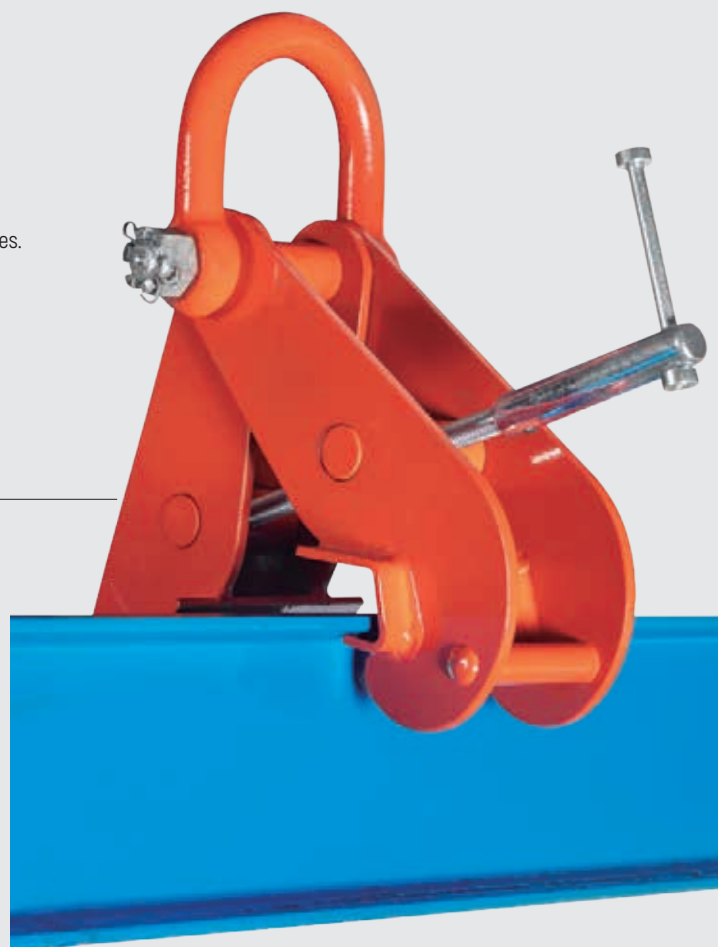
The shaft of the fixing clamp can be for hoists, hooks, cables, etc...

Features:

- Simple and fast placement.
- Allows a wide range of profiles.
- Folding suspension ring.

Note:

- If the load is long, it is better to use a minimum of two claws with a sling with two legs or with a scale.



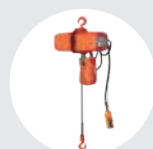
MODEL	CAPACITY (KG.)	BEAM WIDTH (MM.)	WEIGHT (KG.)	MAIN DIMENSIONS (mm)								
				B MIN.	B MAX.	C	D	E	F MAX.	F MIN.	G	H
ABCA1000	1000	75-220	6	184	340	147	122	210	160	130	86	24
ABCA2000	2000	75-220	7	184	340	170	122	210	160	130	91	24
ABCA3000	3000	80-320	14	252	466	200	150	277	240	190	105	34
ABCA5000	5000	80-320	18	252	466	242	150	277	240	190	116	34
ABCA6000	10000	80-350	42	280	527	315	200	305	255	215	168	34



HAND HOISTS
630 SERIES
Pag. 20



LEVER HOISTS
900 SERIES
Pag. 26



THREE-PHASE CHAIN
EC4 MODEL
Pag. 106