

PBID MODEL

DRUM CLAMPS

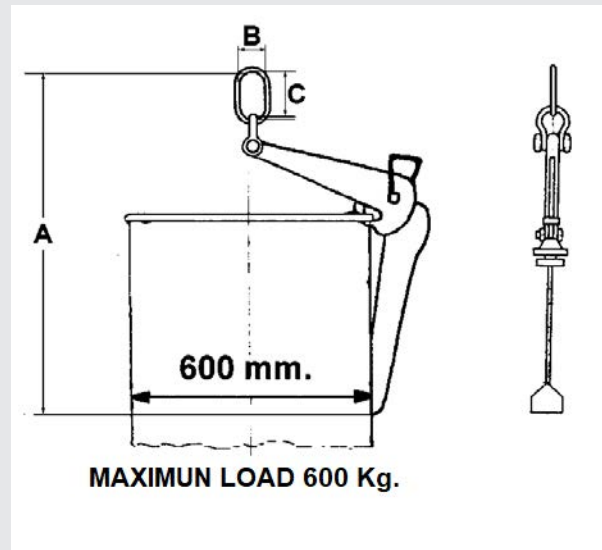


Features:

- The metallic drum clamps, enables lifting and transporting drums in vertical position.
- This clamp is ideal for lifting drums that are positioned close together to each other.

Note:

Drums without a lid can also be transported.

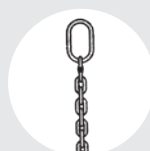


MODEL	MAX. WORK LOAD (Kg)	WEIGHT (Kg)	MAIN DIMENSIONS (mm)		
			A	B	C
PBID06	600	7	700	63	127

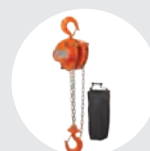
RECOMMENDED ACCESSORIES



FORKLIFT HOOK
UCAR MODEL
Pag. 56



SLING "SO"
Pag. 80



HAND CHAIN HOISTS
SERIES 630
Pag. 20