

BTV MODEL

VERTICAL PIPE CLAMPS FOR CONCRETE PIPES



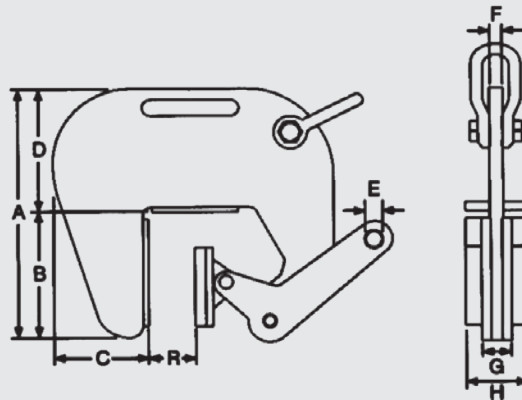
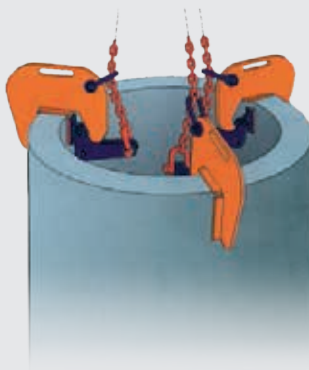
The JAGUAR Clamp model "BTV" is manufactured for lifting and transport of vertical concrete pipes.

Features:

- The mobile part is equipped with a special synthetic surface.
- The minimum workload should not be less than 10% of the maximum workload.

Note:

Should be used in pairs or groups of three.
It can supply assembled with chain slings.

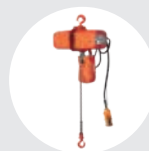


MODEL	MÁX. WORK LOAD (Kg.)	OPENING (R) (mm.)	MAIN DIMENSIONS (mm)								WEIGHT (Kg.)
			A	B	C	D	E	F	G	H	
BTV 10-1	1.000	60-120	325	170	105	155	15	12	40	60	9,7

RECOMMENDED ACCESSORIES



SLING "TO"
Pag. 81



THREE-PHASE CHAIN
EC4 MODEL
Pag. 106