

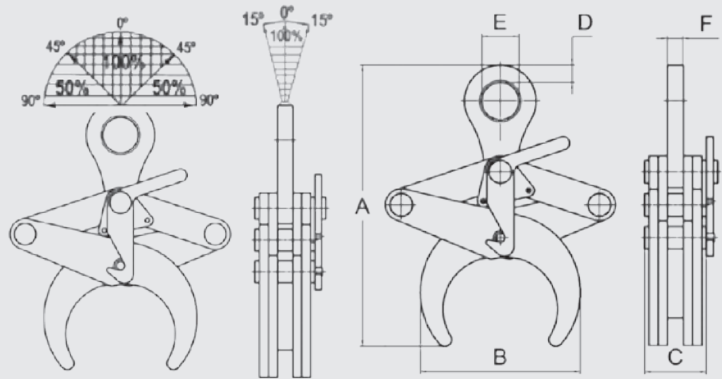
R MODEL

CLAMPS FOR ROUND
SHAPE

With model "R" JAGUAR clamps all kinds of tubes, round bars are easily transported and can be gripped while being on the floor without lifting them so that avoid any hindrance beneath them.

Features:

- The minimum workload should not be less than 10% of the maximum workload.



MODEL	MAX. WORK LOAD (Kg)	FOR ROUNDED DIAMETER (mm)	MAIN DIMENSIONS (mm)						WEIGHT (Kg.)
			A	B	C	D	E	F	
R-1	1.000	50-100	285	140	54	18,5	52	14	4,5
R-2	2.000	80-130	385	236	71	21	54	16	14,0
R-3	3.000	120-220	520	355	100	25	59	18	32,0

RECOMMENDED ACCESSORIES



SLING "SO"
Pag. 80



WEBBING SLINGS
Pag. 90



ROUND SLINGS
Pag. 91