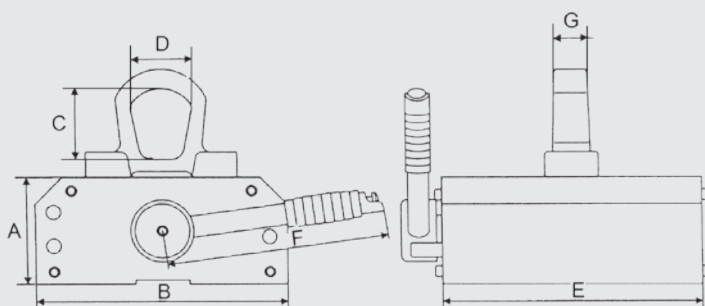
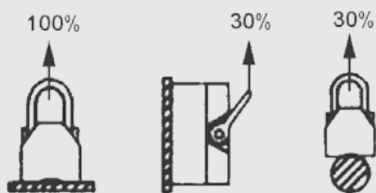


EMF MODEL

THIN STEEL PLATES MAGNETIC LIFTERS

Manuals magnetic lifters "EMF" modelare used for lifting and handling offerromagnetic material in both its flat as well as cylindrical shape.

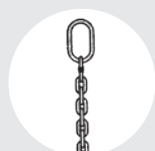
Its dual central axis allows gripping materials with less thickness (from 5 mm) improving working conditions and thus increasing safety during handling of materials.



LOAD CONDITIONS	MODEL	MÁX. WORK LOAD (Kg)	MIN. THICKNESS (mm)*
 PLAIN	EMF-3	300	30
	EMF-6	600	40
	EMF-10	1.000	50
 ROUND	EMF-3	100	15
	EMF-6	200	20
	EMF-10	300	25

* Minimum thickness so that the lift works 100% load.

MODEL	MÁX. WORK LOAD (Kg)	MAIN DIMENSIONS (mm)							NET WEIGHT (Kg)
		A	B	C	D	E	F	G (Ø)	
EMF-3	300	61	133	43	37	165	205	18	10
EMF-6	600	74	162	54	47	236	220	23	20,5
EMF-10	1.000	87	189	62	54	304	265	26	37,5



SLING "SO"
Pag. 80



WEBBING SLINGS
Pag. 90



ROUND SLINGS
Pag. 91