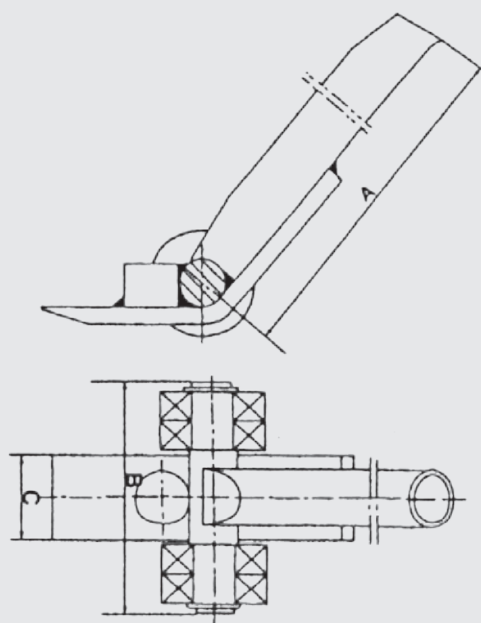


# APAEL MODEL

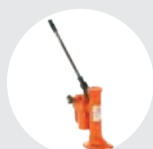
## LIFT LEVERS

The lift lever is the ideal tool for lifting and then inserting claws or manual trolleys under the plates or loads to be moved or lifted.

- APAEL3R Bearings.



MODEL	CAPACITY (Kg)	A	B	C	WEIGHT
APAEL 3R	3.000	1420	152	65	7



**HYDRAULIC TOE JACK**  
MODEL AGATU  
Pag. 63



**ROLLER SKATES TROLLEYS**  
MODEL ATACA  
Pag. 65