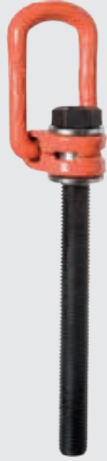


PCGAL MODEL (LONG)

LATERAL SWIVEL EYEBOLT

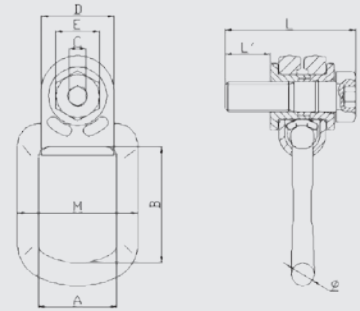


Features:

- 360° rotation
- 90° swing ring.
- Safety coefficient of 4:1
- Screw 12.9.
- Simple and fast placement.

OPTIONAL

The length can be adjusted according to client's needs, as long as it is between the minimum and maximum length for the PCGAL model.



LIFTING METHOD	1		2				3+4		2	3+4	
	0°	90°	0°	90°	0°-45°	45°-60°	0°-45°	45°-60°	ASYMMETRIC	ASYMMETRIC	
MODEL	METRICS (mm)	CAPACITY OF THE LOAD. (Kg)									
PCGA811036	M8	360	360	720	720	500	360	720	540	360	360
PCGA1016063	M10	630	630	1.250	1.250	850	630	1.300	900	630	630
PCGA121810	M12	1.000	1.000	2.000	2.000	1.400	1.000	2.100	1.500	1.000	1.000
PCGA142112	M14	1.200	1.200	2.400	2.400	1.700	1.200	2.500	1.800	1.200	1.200
PCGA162415	M16	1.500	1.500	3.000	3.000	2.100	1.500	3.100	2.200	1.500	1.500
PCGA182620	M18	2.000	2.000	4.000	4.000	2.800	2.000	4.200	3.000	2.000	2.000
PCGA203025	M20	2.500	2.500	5.000	5.000	3.500	2.500	5.200	3.700	2.500	2.500
PCGA243540	M24	4.000	4.000	8.000	8.000	5.600	4.000	8.400	6.000	4.000	4.000
PCGA273840	M27	4.000	4.000	8.000	8.000	5.600	4.000	8.400	6.000	4.000	4.000
PCGA304850	M30	5.000	5.000	10.000	10.000	7.000	5.000	10.500	7.500	5.000	5.000
PCGA365470	M36	7.000	7.000	14.000	14.000	10.000	7.000	14.700	10.500	7.000	7.000
PCGA4272100	M42	10.000	10.000	20.000	20.000	14.000	10.000	21.000	15.000	10.000	10.000
PCGA4874200	M48	20.000	20.000	40.000	40.000	28.000	20.000	42.000	30.000	20.000	20.000

REFERENCE	WEIGHT/ Kg	C.M.T./T.	THREAD	A	B (INNER RING)	C	D	E	M	L	L'	DIAMETER OF RING	PAIR FOR TIGHTENING/NM
PCGAL876036	0.37	0.3	1.25	34.5	47	6	30	13	55	112	76	14	30
PCGAL1096063	0.39	0.63	1.5	34.5	47	6	30	17	55	133	96	14	60
PCGAL1211410	0.86	1	1.75	39.5	49	8	36	19	68	158	114	18	120
PCGAL1414012	0.89	1.12	2	40	49	10	36	22	68	185	140	18	120
PCGAL1614915	0.9	1.5	2	40	49	10	36	24	68	195	149	18	150
PCGAL1818020	1.75	2	2.5	53	72	12	50	30	83	237	180	16	200
PCGAL2018625	1.85	2.5	2.5	53	72	12	50	30	83	244	186	16	250
PCGAL2422140	1.95	4	3	54	87	14	50	36	83	281	221	16	400
PCGAL2727040	4.5	4	3	73	91	17	68	40	120	352	270	16	400
PCGAL3027850	4.6	5	3.5	73	91	17	68	46	120	360	278	27	500
PCGAL3622270	4.9	7	4	73	91	22	68	55	120	310	222	27	800
PCGAL42264100	8.5	10	4.5	94	126	24	85	64	148	368	264	31	1500
PCGAL48295200	13.6	20	5	104	138	27	94	75	176	415	295	40	2000

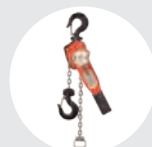
RECOMMENDED ACCESSORIES



"DOL" SLING
Pág. 80



STEEL WIRE ROPE PULLING HOIST
TCH MODEL
Pág. 29



LEVER HOIST
900 SERIES
Pág. 26