

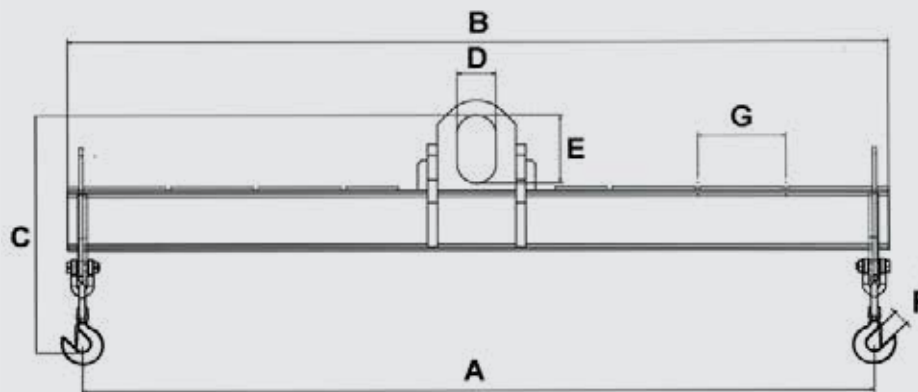
# LIFTING BEAMS

## JBA ADJUSTABLE

The adjustable lifting beams arms of the JBA model are manufactured from HEB type laminated Profiles because these have the largest section and capacity, making them appropriate for those jobs where accuracy, robustness and safety are required.

The top ring is designed for simple suspension. All mooring elements are weld-free.

Carriers and the lower hooks are rotatable and have safety devices, and can be manufactured with another type of hook according to needs .



TECHNICAL INFORMATION									
MODEL	CAPACITY Kg	A	B	C	D	E	F	G	APPROX.WEIGHT
JBA1010	1.000	1.000	1.100	418	60	110	22	125	30
JBA1020	1.000	2.000	2.100	418	60	110	22	250	50
JBA1030	1.000	3.000	3.100	418	60	110	22	250	70
JBA1040	1.000	4.000	4.100	438	60	110	22	250	112
JBA1050	1.000	5.000	5.100	458	60	110	22	500	170
JBA2010	2.000	1.000	1.100	486	75	135	26	125	33
JBA2020	2.000	2.000	2.100	506	75	135	26	250	67
JBA2030	2.000	3.000	3.100	526	75	135	26	250	117
JBA2040	2.000	4.000	4.100	546	75	135	26	250	185
JBA2050	2.000	5.000	5.100	546	75	135	26	500	225
JBA3010	3.000	1.000	1.100	516	90	160	26	125	35
JBA3020	3.000	2.000	2.100	556	90	160	26	250	85
JBA3030	3.000	3.000	3.100	576	90	160	26	250	147
JBA3040	3.000	4.000	4.100	596	90	160	26	250	227
JBA3050	3.000	5.000	5.100	616	90	160	26	500	330
JBA5010	5.000	1.000	1.100	591	100	180	28	125	53
JBA5020	5.000	2.000	2.100	636	100	180	28	250	85
JBA5030	5.000	3.000	3.100	656	100	180	28	250	193
JBA5040	5.000	4.000	4.100	676	100	180	28	250	284
JBA5050	5.000	5.000	5.100	696	100	180	28	500	402
JBA7510	7.500	1.000	1.100	718	120	220	35	125	90
JBA7520	7.500	2.000	2.100	758	120	220	35	250	170
JBA7530	7.500	3.000	3.100	798	120	220	35	250	292
JBA7540	7.500	4.000	4.100	818	120	220	35	250	420
JBA7550	7.500	5.000	5.100	838	120	220	35	500	560
JBA10010	10.000	1.000	1.100	848	140	260	43	125	128
JBA10020	10.000	2.000	2.100	888	140	260	43	250	221
JBA10030	10.000	3.000	3.100	928	140	260	43	250	370
JBA10040	10.000	4.000	4.100	948	140	260	43	250	496
JBA10050	10.000	5.000	5.100	988	140	260	43	500	734